



+48 697 530 240  
+48 61 876 89 46  
info@rexelpland.com



## **REXEL R1250**

REXEL R1250

REXEL

-

-

-

-

-

-

-

-

-

REXEL R1250 R1150 R1000 R750

REXEL

1.

- 

- 

- 

2.

3.

4.

5.

6.

- 

- 

7.

REXEL

REXEL R1250

2000 x 1800 x 78.75" x 70.85"

2500 x 1800 x 2000 x 98.45" x 70.85" x 78.75"

2700 x 10.6

5240 x 206.3

1250 x 49.2

0-18 m / s / 59 ft / s

4

230 V / 50 Hz / 400 V / 50 Hz

2.2 kW / 1.5 kW

PR-3

REXEL

REXEL

REXEL

REXEL

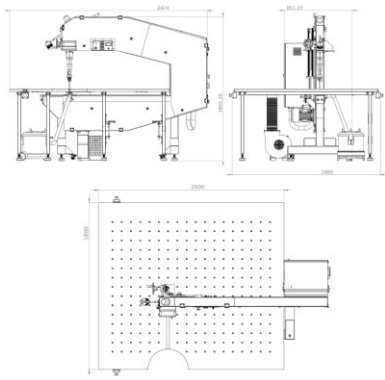
REXEL

REXEL

REXEL

REXEL

REXEL PR-3



LED

