



BAND KNIFE MACHINE R1250

Band knife machine R1250 is the best option for cutting big stacks of material.

Key features:

- The band knife machine is a powerful and versatile tool for cutting fabric, leather, cardboard, upholstery foam, rubber or paper.
- Any band knife can be used with this device (straight, convex, concave or toothed).
- Smooth or airflow-equipped tabletops.
- Each machine is equipped with a knife sharpener and a dust-collecting tray covered with transparent casing.
- A solid construction made of powder-coated steel.
- An liftable telescopic cover allows for a quick adjustment of the cutting height with a push of a button.
- All machines are equipped with a mechanical band catcher and the panels are protected with end switchers.
- (Optional) vacuum system for removing dust and material pieces during cutting.
- (Optional) adjustable manual positioner (side stop) with a scale for cutting stacked pieces of material (R1250, R1150, R1000 and R750 only).

[REXEL band knife machine safety features:](#)

1. Immediate band knife stop (less than 1 second) in case of emergency:
 - when one of E-STOP buttons is pressed;
 - when the cutting band is broken;
 - when any of the covers are opened.
2. For safety reasons, it is not possible to start the machine after emergency situations unless the operator resets the machine.
3. The machine is protected using special safety relays made by Omron.
4. Special tongue operated door switches made by Omron prevent the machine from starting to work when any of the covers are opened (the possibility of interference with the switch by the operator or service team is almost zero).
5. Safe cutting band replacement due to the motor being locked both mechanically and electrically.
6. The motor is stopped by two means:
 - with mechanical break;
 - with electric current via inverter.
7. Special patented telescopic band knife cover.

Specifications:

Model: R1250

Tabletop dimensions: 2000 x 1800 mm (78.75" x 70.85")

Overall dimensions (LxWxH): 2500 x 1800 x 2000 mm (98.45" x 70.85" x 78.75")

Cutting height: 270 mm (10.6")

Band length: 5240 mm (206.3")

Arm length: 1250 mm (49.2")

Knife speed: 0-18 m/s (59 ft/s)

Guide wheels quantity: 4

Voltage (optional 230 V / 50 Hz): 400 V / 50 Hz

Motor Power (optional 2,2 kW): 1.5 kW

Inverter for speed variation: Yes

Tabletop with air-cushion or smooth: Yes

Sharpening device: Yes

Operating light: Yes, LED lights

Mechanical bandknife catcher: Yes

Vacuum system (optional): Yes

Touchscreen control panel: No

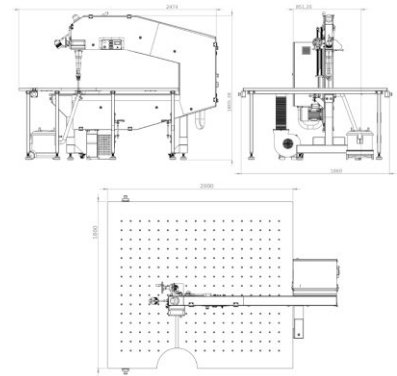
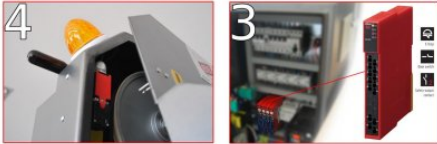
Control panel with buttons: Yes

+48 697 530 240
+48 61 876 89 46
info@rexelpoland.com



Scan the code

Castors for easier installation: Yes
Measuring stop PR-3 (optional): Yes



LED

