



CART FOR SEWING WORKSHOPS WITH SHELVES WT-3

Key features:

- Such carts are used mainly in sewing and cutting rooms.
- It is an auxiliary sewing trolley that is usually placed near the sewing machine.
- It is used for putting away and storing the most necessary tools and materials (e.g. scissors, sewing tapes, rubber bands, pins, needles, measures etc.), two perforated shelves are used for this.
- Its upper part is covered with rubber, so one can put the finished or not yet sewn material on it, and thanks to the use of rubber, the material remains in a fixed position.
- Thanks to the mounted wheels, the trolley is mobile, it can be moved from one workstation to another.
- The trolley is made of - powder coated steel.

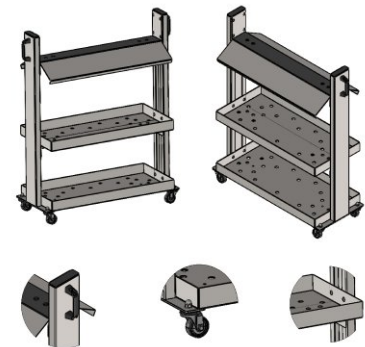
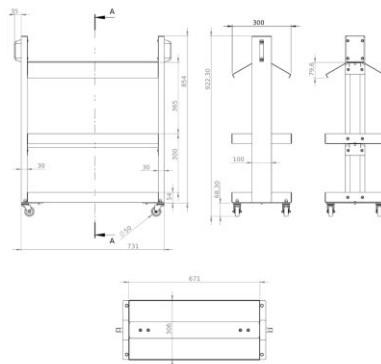
+48 697 530 240
+48 61 876 89 46
info@rexelpoland.com



Scan the code

Specifications:

Shelf dimensions: 300x670 mm
Upper part dimensions: - 300x670 mm
Total height: 854 mm
Box size and weight: 95x43x19 cm, 17 kg





90x43x19 cm, 17 kg