



FABRIC REWINDING-INSPECTION MACHINE PP-3S

Rewinding-inspection machine with backlight and more powerful winding unit (from the roll cradle onto the tube), and length measurement device.

Key features:

- Rewinding / inspection machines with backlighting screen provide fast, easy quality control and measure fabric length.
- Machines can have a built-in lay manual (version /R) or semi-automatic (version /A) end-cutter for increased efficiency in the workplace.
- A perfect choice for all textile manufacturers and businesses that deal with any kind of fabric.
- The machine winds fabric from a roll placed inside the cradle on a core placed on a winding shaft.
- High winding speed (50 m/min or 60 m/min).
- Mechanical counter (yards or meters).
- Easy fabric roll installation.
- Frame made of powder-coated steel.

Safety features:

- 1) Immediate machine stop in case when an emergency stop button is pressed;
- 2) For safety reasons, it is not possible to start the machine after emergency situations unless the operator resets the machine (accidental self-start safeguard);
- 3) The machine is protected using special safety relays made by Omron.

Available models:

PP-3S Rewinding-inspection machine with backlight and more powerful winding unit (from the roll cradle onto the tube), and length measurement device.

PP-3S/R Additionally equipped with manual fabric end cutter OT-1/R.

PP-3S/A Additionally equipped with semi-automatic fabric end cutter OT-1/A.

Specifications:

Model: PP-3S

Maximum width of fabric roll: 190 cm (74,80")

Maximum roll diameter: 50 cm (19,69")

Maximum rewindable weight of roll: 70[kg]

Voltage: 230[V]

Motor power: 0,55[kW]

Maximum winding speed: 50-60 m/min

Screen size: 200 x 50 cm (78.74" x 19.68")

Screen: Yes

Counter for yards or meters: Yes

Cradle for roll: Yes

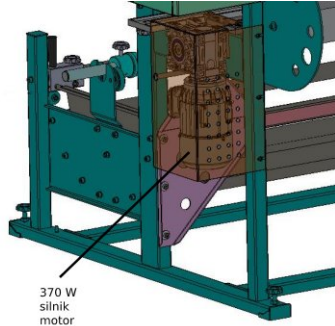
Attention:

This machine is not designed for elastic materials and the counter may show incorrect length due to material stretch during rewinding.

+48 697 530 240
+48 61 876 89 46
info@rexelpoland.com



Scan the code



370 W silnik motor MOTOR

