



HEAVY-DUTY MATERIAL ROLL RACK LS-6/HD

Material roll rack LS-6/HD is designed for six rolls.

Key features:

- Universal roll racks designed for fabric roll storage or feeding.
- Frame made of closed steel profiles and powder-coated tubes.
- Tubes equipped with special cones that can be blocked to fix the roll.
- Tubes are placed in special slots between wheels on bearings.
- Perforation to change the shoulder spacing.
- (Optional) Special brake system to prevent self-unwinding of the fabric rolls.
- Non-standard roll racks are available on request.

Specifications:

Model: LS-6/HD

Maximum roll width: 1850 mm (72,83")

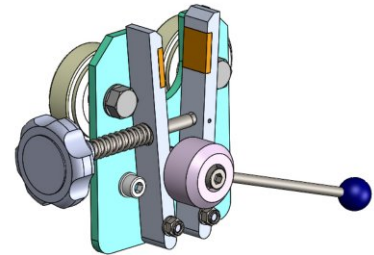
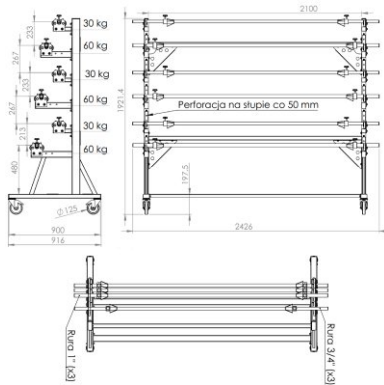
Maximum roll weight: 3x 60 kg(132 lbs), 3x 30 kg (66 lbs)

Maximum roll quantity: 6

Roll brake system (optional): Yes



Scan the code



hamulec (opcja)
break (optional)
тормоз (опция)