



HOLDERS FOR INSPECTION HOIST

+48 697 530 240
+48 61 876 89 46
info@rexelpoland.com



Scan the code

TYP-1 Roller blind tube holder. One can choose 40 mm or 60 mm cones.

TYP-2 Standard steel holder for hoists. 2 pc included to each hoist.

TYP-3 Aluminium or wooden venetian blinds holder.

TYP-4 Holder for aluminium cassettes for roller blinds.

TYP-5A Two-sided holder for heavy aluminium or wooden venetian blinds.

TYP-5B Support holder preventing sagging of a venetian blind, mounted in the middle between two TYP-5A holders.

TYP-6 Round holder with space for up to 8 components. Custom made. The components are supplied by the customer.

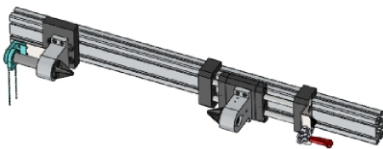
TYP-7 Holder for aluminium cassettes for roller shutters.

TYP-8 Holder that holds the guide rails for roller shutters during inspection.

TYP-9 Holder that holds the guide rails for roller shutters during inspection.

TYP-10 Holder for aluminium cassettes for roller blinds.

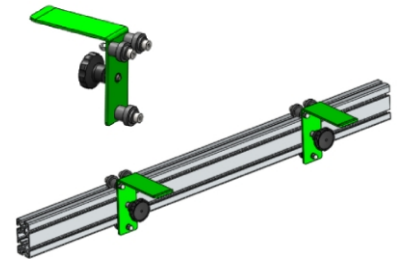
TYP-11 Holder for curtains.



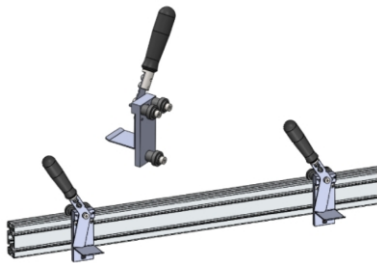
TYP-1



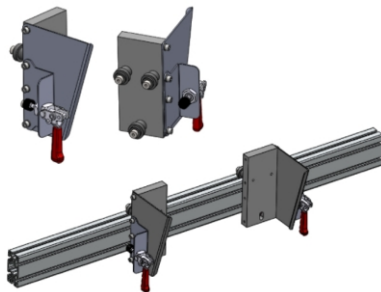
TYP-1



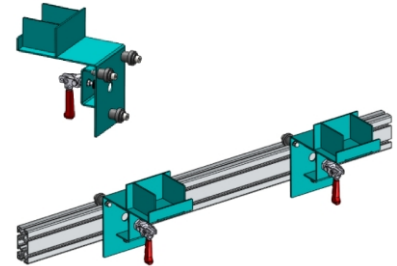
TYP-2



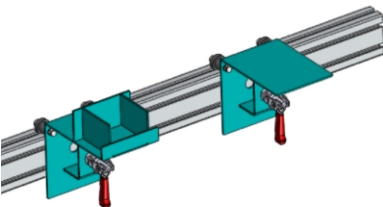
TYP-3



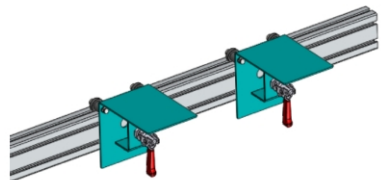
TYP-4



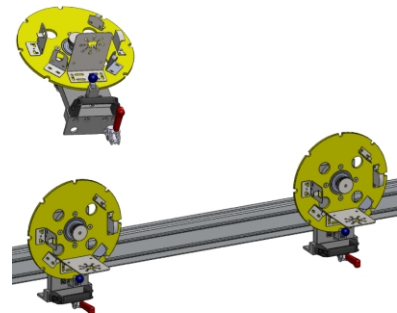
TYP-5A



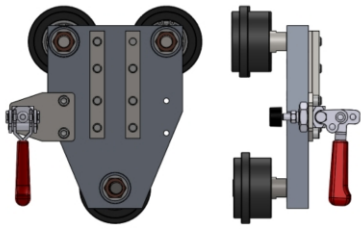
TYP-5A & TYP-5B



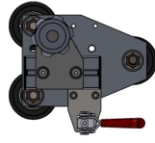
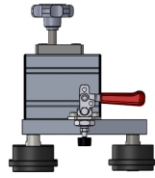
TYP-5B



TYP-6



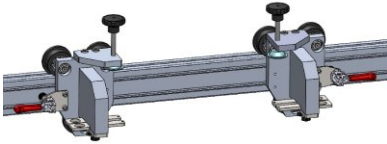
TYP-7



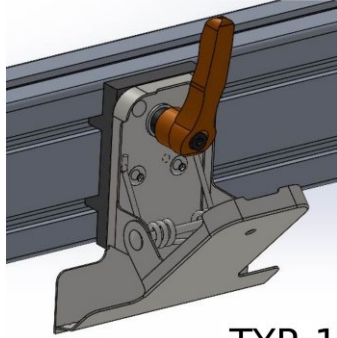
TYP-8



TYP-9



TYP-10



TYP-11