



# WALL MOUNTED HEAVY-DUTY MATERIAL ROLL RACK LS-1/PC

+48 697 530 240  
+48 61 876 89 46  
info@rexelpoland.com



Scan the code

## Key features:

- Universal heavy duty stationary roll rack that can be fixed to the wall to save space.
- The frame is made of powder painted steel profiles.
- Roll clamps help to hold the roll in place. The feed bar is mounted on special rollers with ball bearing rollers.
- Material pipe can be optionally equipped with a brake which protects against self-unwinding fabric.
- We offer custom-made stationary roll racks with different dimensions.
- The unwinder is equipped with an additional ball-bearing rewinding roller, which allows one to unwind the fabric at the level of the table

## Specifications:

Model: LS-1PC

Maximum roll width: 2000 mm (78.7 ")

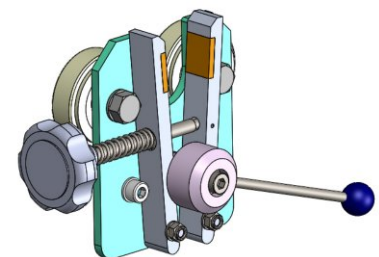
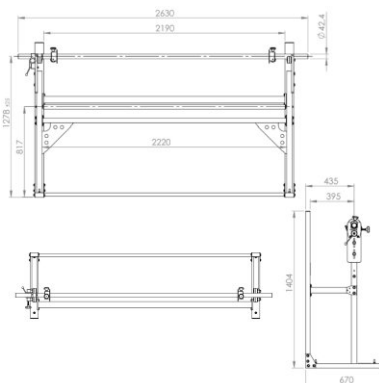
Maximum roll diameter: 800 mm (31.5 ")

Maximum roll weight (tube for 42mm material): 100 kg (220 lbs)

Maximum roll weight (tube for 50mm material): 150 kg (330 lbs)

Maximum number of rolls: 1

Brake (option): Yes



hamulec (opcja)  
break (optional)  
тормоз (опция)